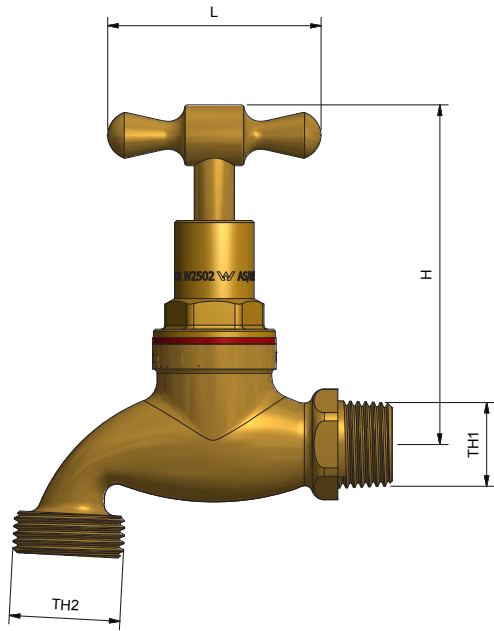


HOSE TAPS

Standard MI

Product Specifications

Metforge®
brassware



Specifications

Maximum working temperature 0°C to 60°C

Maximum pressure rating 1600kPa

Features



Watermark approved

100% Pressure tested

Double O Ring on spindle

Tested and certified to AS/NZS 3718

Sizing Chart [MM]

	L	H	TH1	TH2
TH03	51	79	R1/2"	G3/4"
TH05	51	79	R1/2"	G3/4"
TH10*	51	79	R1/2"	G3/4"
TH12**	51	79	R1/2"	G3/4"
TH14	51	80	R3/4"	G1"
TH16	51	80	R3/4"	G1"

* Chrome plated finish

** Polished brass finish

Material Chart

Part	Material
Body	DR Brass
Jumper Valve	Nylon
Washer	Fibre
Bonnet	DR Brass
O Ring	NBR
Handle	Brass
Spindle	DR Brass

For more information on Metforge, contact:

Austworld 15 Activity Crescent, Molendinar, Queensland 4214 Australia

P. 1300 780 430

F. 1300 780 441

E. info@austworld.com.au

Austworld Pty Ltd. All rights reserved 2018. Austworld and Metforge are registered trade mark belonging to Austworld Pty Ltd.

AW
AUSTWORLD